

MP-1100



INTELLIGENT MARKING SOLUTIONS

Highly Configurable

Easy to Use

**Quiet, Fast,
Efficient Marking**

**Stand Alone
or Integrated**

**Wide Range
of Options**

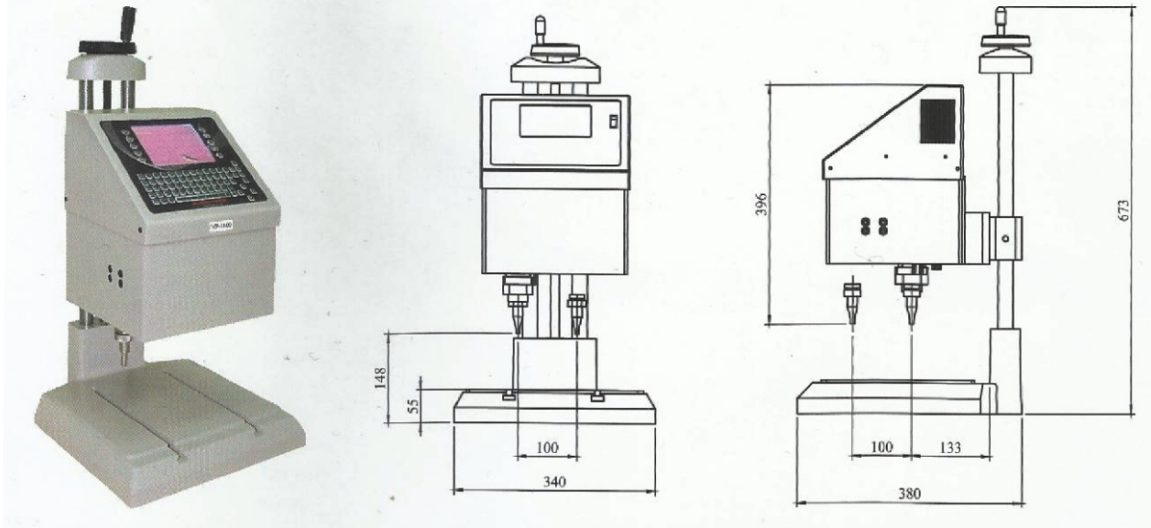


INTELLIGENT MARKING SOLUTIONS

MP - 1100

Extremely User Friendly Machine

- Low cost permanent identification
- Integrated controller, keyboard, software, and graphical display.
- Menu driven programming
- High quality of mark
- Required compressed air
- Fast
- No computer skills required
- Protected industrial membrane keyboard.
- Based on the proven markmate pneumatic platform
- Serial numbers, date codes, logos possible
- Suitable for most marking applications, from plastic to hard steel



Technical Specifications

Marking Window	100x100
User Friendly Firmware	✓
Graphical Screen	✓
Print Preview	✓
Logo Marking	✓
Programmable Character Height & Width	✓
Radial, Angular, Straight Marking	✓
Font 5X7, 7X9, varidot (Continues)	✓
Serial Numbers	✓
Date Codes (Year, Month, Week, Day, Shift, hrs Etc.)	✓
RS232 Communication	✓
Flash EPROM	✓
Column Height Adjustment 270 mm	✓
Mambrane Keyboard	✓

Marks Pryor reserves the right to amend product specifications without notice.



Customised Work Stations for


- Chassis
- Gears
- Pump Body
- Crank Shafts
- Batteries
- Graduations
- Connecting Rods
- Flanges
- Frames
- MB Cap
- Pistons
- & Many More
- Crank Case
- Cylinders

Our Service Network :

- Service Locations :**
- Delhi NCR • Haryana • Punjab • Himachal Pradesh
 - Rajasthan • Uttrakhand • Uttar Pradesh
 - Madhya Pradesh • Gujrat • West Bengal • Jharkhand
 - Pune • Chennai



 A-1/222-A, Hastal Road, Uttam Nagar, New Delhi-110059

 09818317320

 info@marksengg.com | marks.del@gmail.com